

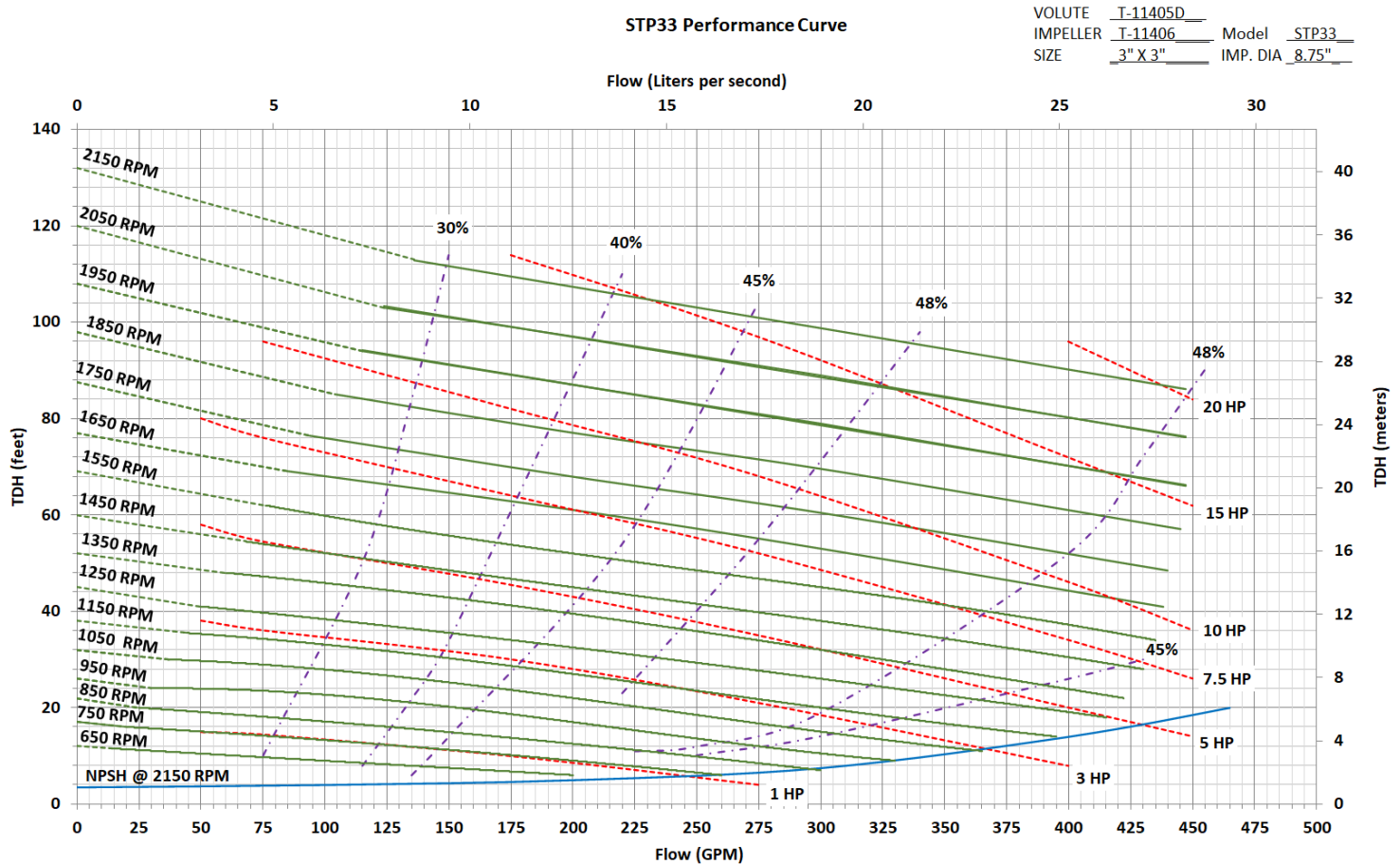


STP33 Data Sheet

3" x 3" Self Prime Trash Pump

Pump and parts 100% interchangeable with Gorman Rupp Super-T Series®

Performance Curve



General Specifications

| | |
|----------------------------|--------------------|
| Suction Connection | 3 in Flange |
| Delivery Connection | 3 in Flange |
| Max Flow | 460 USGPM* |
| Shutoff Head | 111 ft |
| Max Solids Handling | 2.5 in |
| Fuel Capacity | 100 US Gal (416 L) |
| Max Impeller Dia. | 8.75 in |

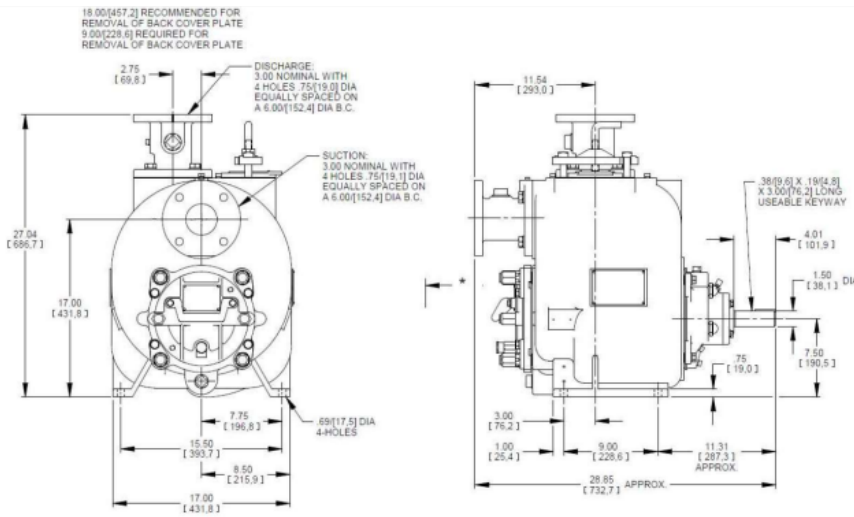


*Larger pipes may be required for maximum flows. A typical picture of an open-unit pump is shown. Please contact Amco Pumps for further details. All information is approximate and for guidance only. Gorman Rupp (R) and Super-T (R) used for reference purposes only.

Pump and parts 100% interchangeable with Gorman Rupp Super-T Series®

Dimensions

Dimensions: 17" width, 29" length x 27" height
Weight: 494 lbs



Features

AUTOSTART COMPATIBLE

EASY CLEANING AND CLEARING

INTERNAL INSPECTION CAN BE CARRIED OUT QUICKLY AND SAFELY VIA REMOVAL OF THE CLEANOUT COVER WITHOUT PIPE REMOVAL.

INTERCHANGEABLE PARTS

EASILY REMOVEABLE AND INTERCHANGEABLE ROTATING ASSEMBLY WITH EXISTING PUMPS.

SIMPLE MAINTENANCE

ROUTINE MAINTENANCE IS QUICK AND EASY WITH THE USE OF REGULAR TOOLS

SIGHT GLASSES

BUBBLE SIGHT GLASSES ALLOW FOR EASY VIEWING OF OIL LUBRICATION.

SUITABLE FOR MANY APPLICATIONS

INDUSTRIES WE SERVE INCLUDE



Options

- Diesel or Electric Drive
- Integrated Fuel Tank Skid Mount
- Custom DOT Trailer Options
- Nedox or Epoxy Coating
- Custom Sound Enclosure 69dBA at 30'

Materials

- Casing: Cast Iron, ASTM 48, Class 30
- Impeller Shaft: Alloy Steel 4140
- Wear Plate: Carbon Steel A216
- Mechanical Seal: Cartridge Type, Mechanical, Oil-Lubricated, Double Floating, Self-Aligning. Silicon Carbide Faces. Stainless Steel 316 Casing.
- SS-316 and CD4MCu Internal wet end components available

Contact Us

713-690-7575

sales@amcopumps.com

www.amcopumps.com

4849 Cranswick Rd. Houston, TX 77041

12 MONTHS PARTS AND LABOR LTD WARRANTY