

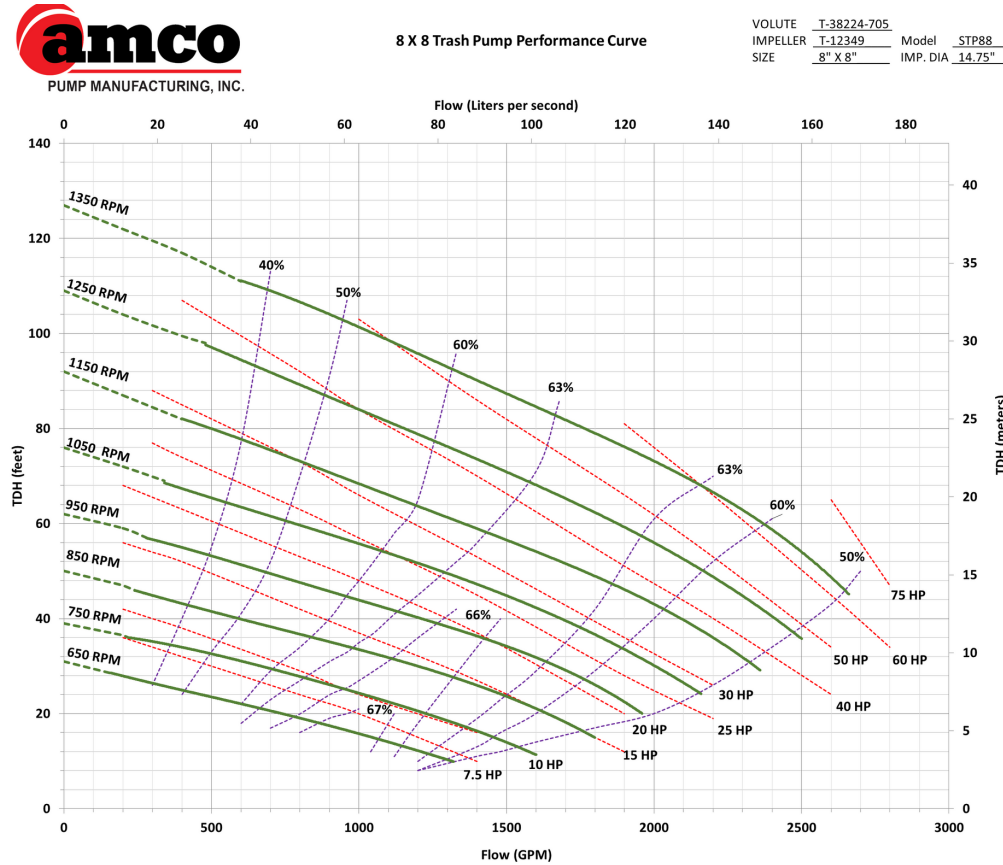


# STP88 Data Sheet

## 8" x 8" Self Prime Pump

Pump and parts 100% interchangeable with Gorman Rupp Super-T Series®

### Pump Performance Curve



**WEIGHT:** 1428 LBS  
**DIMENSIONS:** 41.88" H X  
 27.75" W X 40.20" L

### General Specifications

Suction Connection	8 in (200 mm) Flange
Delivery Connection	8 in (200 mm) Flange
Max Flow	2840 USGPM
Max Head	128 ft
Max Solids Handling	3 in
Fuel Capacity	100 US Gal (416 L)
Impeller Diameter	14.25 in

### Features

- Self-Priming Pump with autostart control
- Durably constructed using Cast Iron, Steel and CDM4CU material
- 12-month standard warranty
- Suitable for many applications. Industries we serve include:



713-690-7575  
 www.amcopumps.com

4849 Cranswick Rd  
 Houston TX 77041

**Quality Pumps, For Less. By Professional Pump People.**

Any reference to Gorman Rupp(R) is solely for reference purposes. AMCO Pump Manufacturing, Inc has no affiliation with Gorman Rupp(R). A typical picture of an open-unit pump is shown. Please contact Amco Pump Manufacturing for further details. All information is approximate and for guidance only.

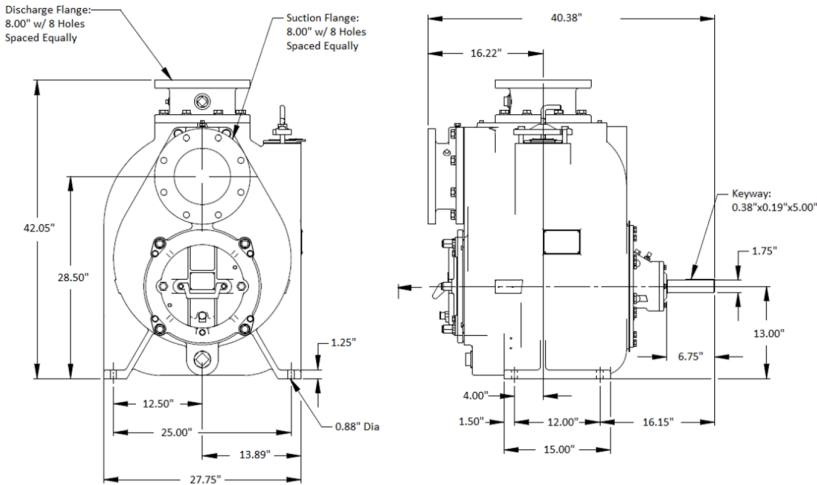


# STP88 Data Sheet

## 8" x 8" Self Prime Pump

Pump and parts 100% interchangeable with Gorman Rupp Super-T Series®

### Dimensional Drawing



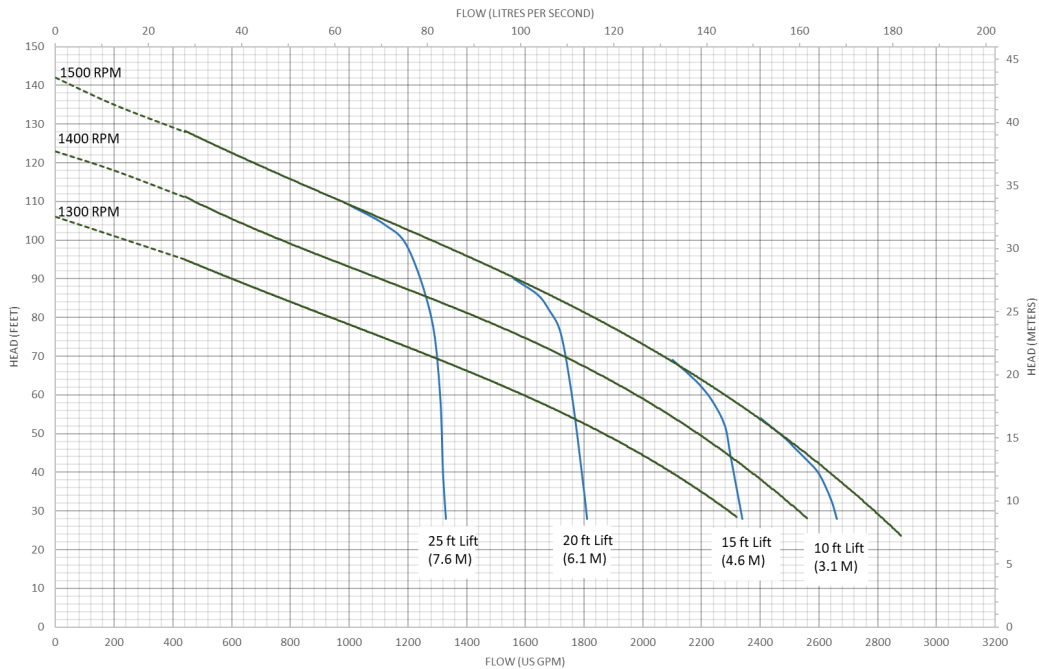
### Options

- Diesel Engine or Electric Motor
- Direct Coupled or Belt Driven
- Various Skid Configurations
- Integrated Fuel Tank Skid Mount
- Custom DOT Trailer Options
- Sound Enclosure to 69 dBA at 30'

### Engine Driven Performance Curve

8" x 8" Self Prime Pump w/ 100 HP Engine  
Performance Curve

VOLUTE	T-38224-705	Model	STP88
IMPELLER	T-12349D	IMP. DIA	14.25"
SIZE	8" X 8"	RPM	1300-1500
ENGINE	100 HP		



713-690-7575  
www.amcopumps.com

4849 Cranswick Rd  
Houston TX 77041

**Quality Pumps, For Less. By Professional Pump People.**